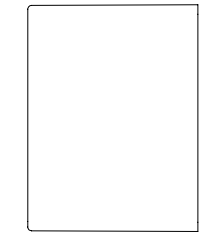
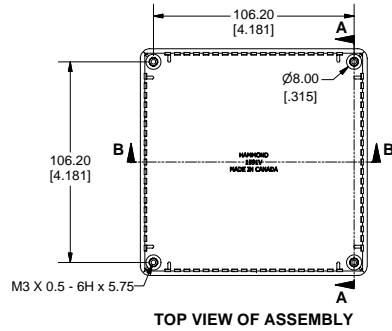


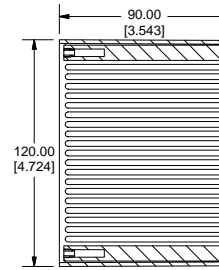
1591VFL Enclosure



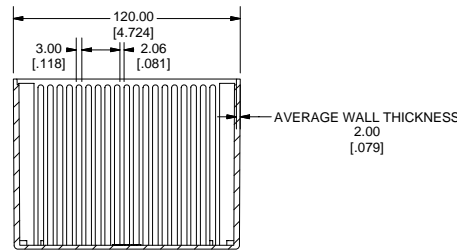
SIDE VIEW OF ASSEMBLY



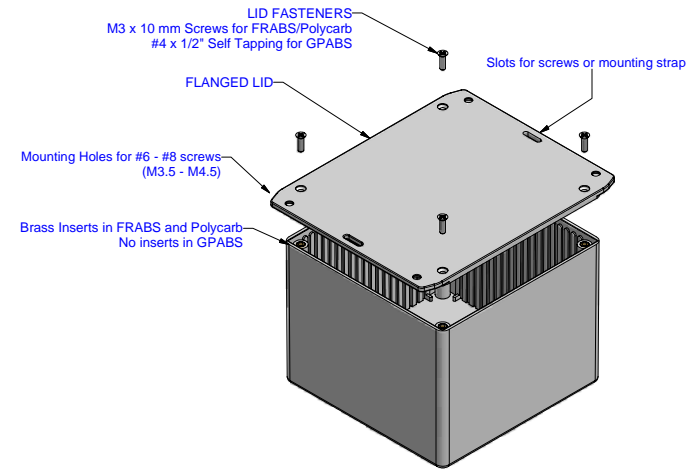
TOP VIEW OF ASSEMBLY



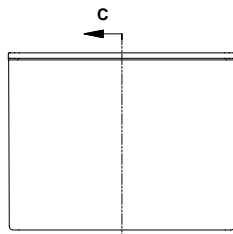
SECTION A-A



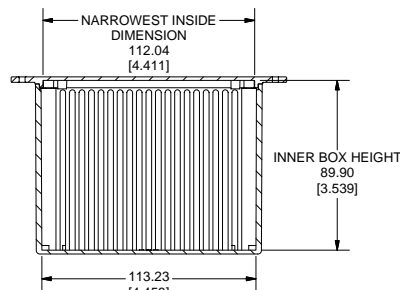
SECTION B-B



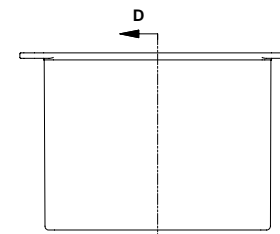
EXPLODED VIEW OF ASSEMBLY



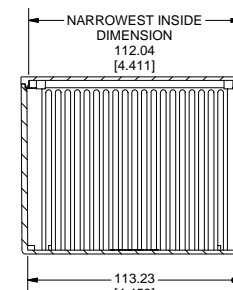
END VIEW OF ENCLOSURE



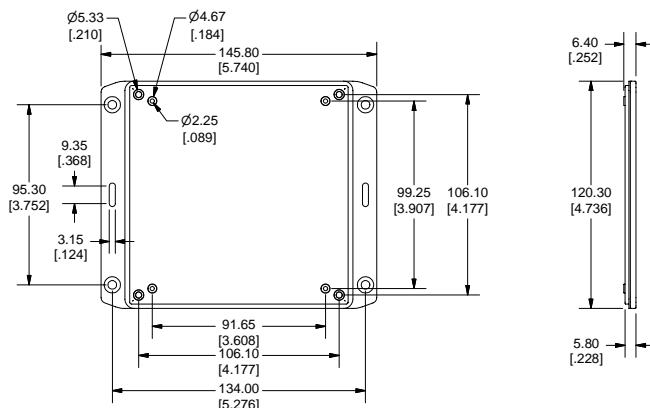
SECTION C-C



SIDE VIEW OF ENCLOSURE



SECTION D-D



Note:

Enclosures can be Factory Modified (Milling, Drilling, Printing etc.)
Solid models of this enclosure available in STEP or IGES Format.
Contact Factory mjm@hammondmfg.com



| PART NUMBERS | | |
|--|---|-------------------------|
| 1591V Flanged Lid Enclosures | | |
| Material | Colour | Part Number |
| FRABS UL94 | Black | 1591VFLBK |
| - V0 | Grey | 1591VFLGY |
| Accessories | | |
| Description | Part Number | |
| Used with ABS Enclosures | PC Board Card Adapters | See Accessories Section |
| | Replacement Screws, Flat Head Phillips Nickel Plated Pack of 100. | 1591MS100 |
| | | 1591MS100BK (Black) |
| Recommended Torque on Fasteners (no lubrication) | | |
| | M3 - 0.5 x 10mm Screws | 30-40 cN*m |
| | #4 x 0.5 Screws | 30-40 cN*m |